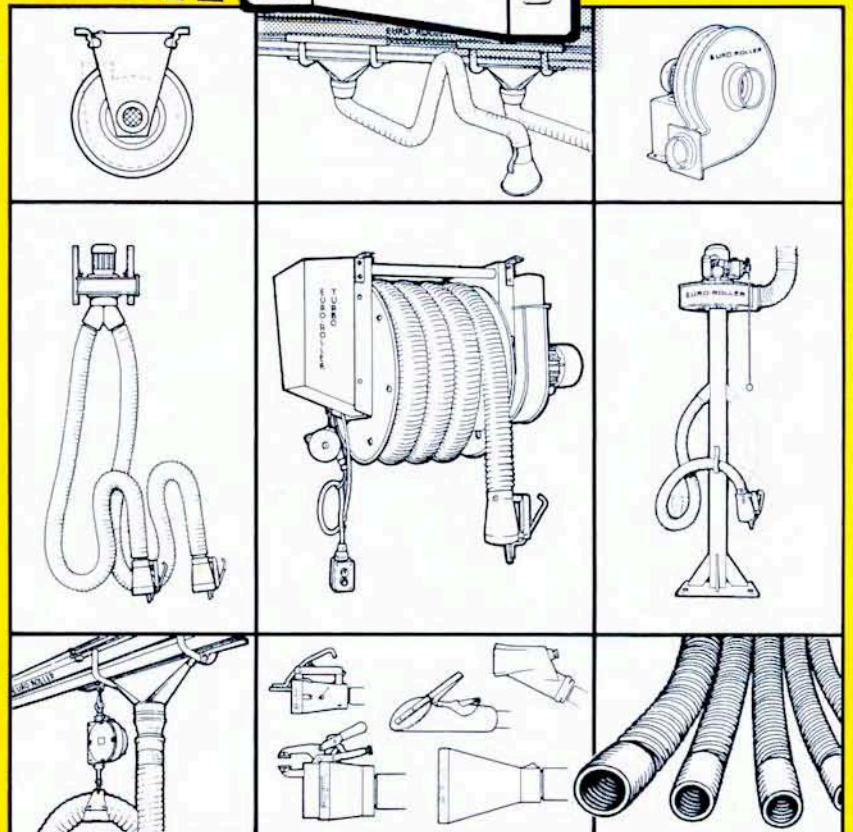
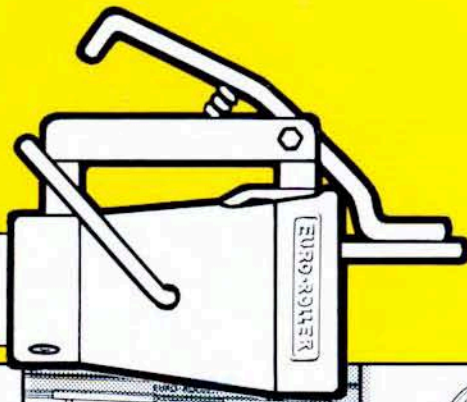
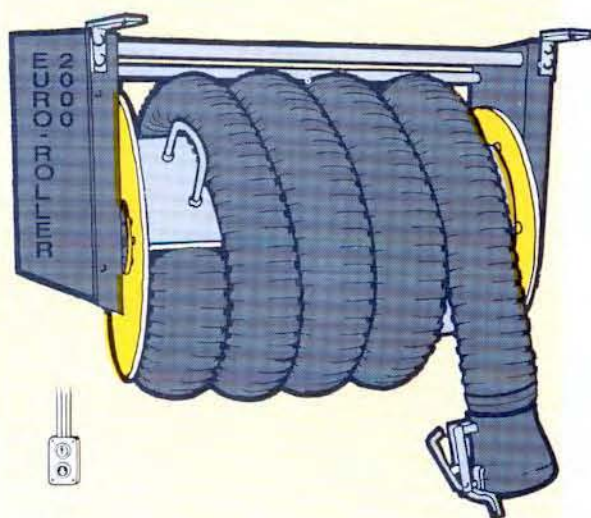


EURO-ROLLER®

GUARANTEE FOR CLEAN AIR



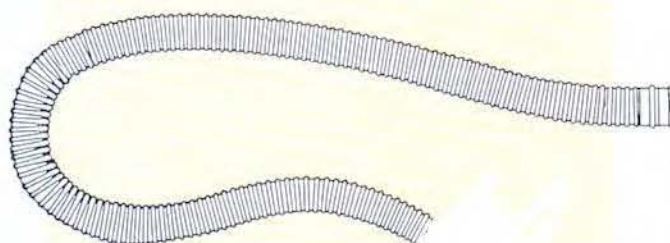


Type 2000
suitable for engine capacities of
4 to 15 litres.

Comprising :

- Flexible crushproof light weight heavy-duty smooth bore extraction hose with rubber protected polyamide spiral to ensure hose concentricity when on and off the reel.
Temperature resistant constant to 150°C.
- Exhaust nozzle complete with damper, clamp and grid.
- Push-button switch 24v suitable for wall or column mounting.
- Standard colours yellow/black.

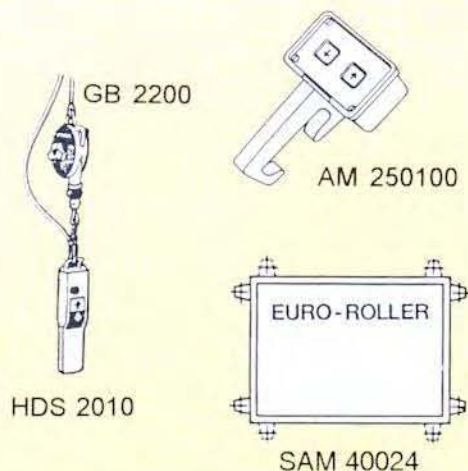
Part No.	Type	Hose dia mm	Hosel length M	Exhaust nozzle	Voltage 415v/3 phase
9511 075 125	E	75	12.5	PBK- 90- 75	0.25 Kw
9511 100 010	E	100	10	VBK-150-100	0.25 Kw
9511 125 010	EG	125	10	VBK-150-125	0.25 Kw
9511 150 010	EG	150	10	VBK-150-150	0.25 Kw
9511 125 015	EGE	125	15	VBK-150-125	0.37 Kw
9511 150 015	EGE	150	15	VBK-150-150	0.37 Kw



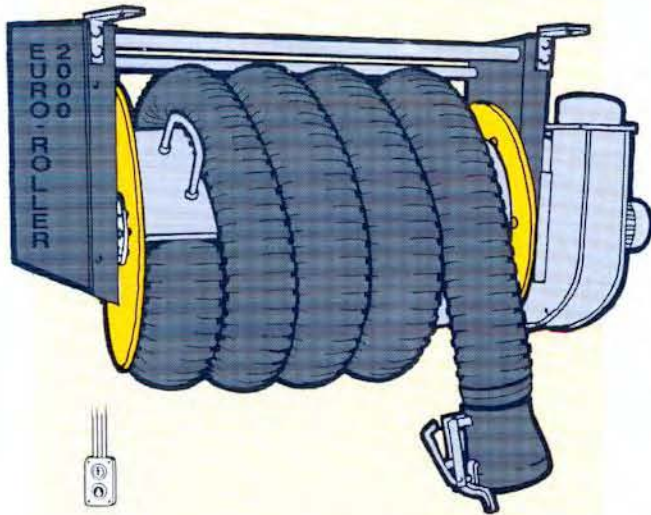
Extension hose with connector and clamps.

Part No.	Type	Hose length M	Hose dia mm
8008 025 075	MAG - 25 - 75	2.5	75
8008 025 100	MAG - 25 - 100	2.5	100
8008 025 125	MAG - 25 - 125	2.5	125
8008 025 150	MAG - 25 - 150	2.5	150

For longer hoses please see page 11.



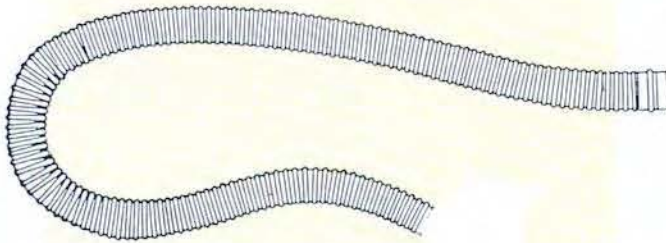
Part No.	OPTIONS:
650H DS2 010	Pendant push-button switch.
2000 GB2 200	Balancer, 2 metre reach.
65AM 250 100	Infra-red remote control
	- max. reach 50 metres
	- adjustable to 100 mode settings.
65SA M40 024	Euro-Roller switch control box for steering of fan of multiple reels.



Type Combi 2000 suitable for engine capacities of 4 to 15 litres.

- Comprising :
- Flexible crushproof light weight heavy-duty smooth bore extractionhose with a rubber protected polyamide spiral.
Temperature resistant up to 150°C.
 - Exhaust nozzle complete with damper, clamp and grip. (or any other type)
 - Fan.
 - Push-button switch 24v suitable for wall or column mounting.
 - Standard colours yellow/black.

Part No.	Type	Hose dia mm	Hose length M	Exhaust nozzle standard	Fan type cap.p/hr free blowing	Voltage 415v 3 phase		
9510 075 252	EV	75	12.5	PB- 90- 75	VRS 12 1.200m ³	1	Kw	
9510 100 102	EV	100	10	VB-150-100	VRS 12 1.200m ³	1	Kw	
9510 125 104	EVG	125	10	VB-150-125	VRS 14 2.000m ³	1.35	Kw	
9510 150 104	EVG	150	10	VB-150-150	VRS 14 2.000m ³	1.35	Kw	
9510 125 154	EVGE	125	15	VB-150-125	VRS 14 2.000m ³	1.45	Kw	
9510 150 158	EVGE	150	15	VB-150-150	VRS 18 3.000m ³	2.6	Kw	



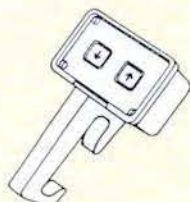
Extension hose with connector and clamps.

Part No.	Type	Hose length M	Hose dia mm
8008 025 075	MAG - 25 - 75	2.5	75
8008 025 100	MAG - 25 - 100	2.5	100
8008 025 125	MAG - 25 - 125	2.5	125
8008 025 150	MAG - 25 - 150	2.5	150

For longer hoses please see page 11.

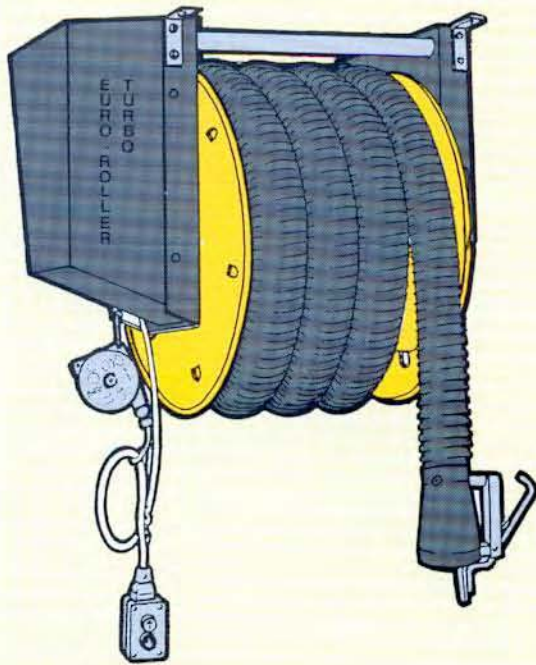


HDS 2010



AM 250100

- Part No. OPTIONS:
- 650H DS2 010 Pendant push-button switch.
 - 2000 GB2 200 Balancer, 2 metre reach.
 - 65AM 250 100 Infra-red remote control
 - max. reach 50 metres
 - adjustable to 100 mode settings.



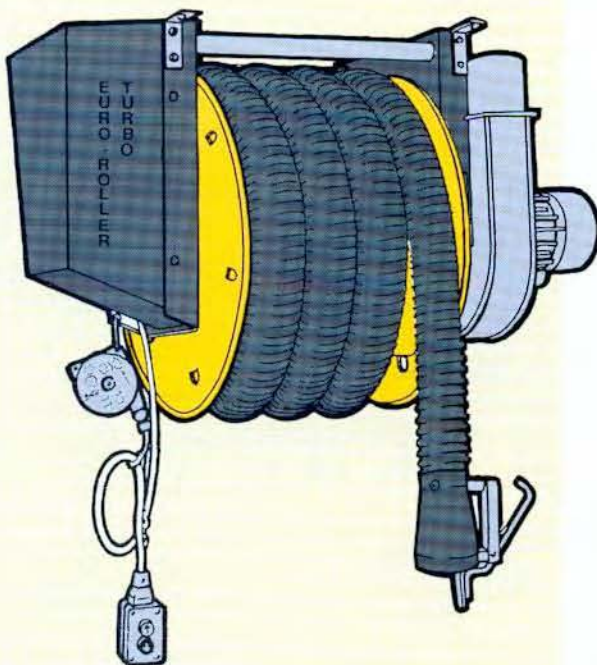
Type Turbo without extraction fan suitable for engine capacities up to 3 litres.

Part No. Type
9521 075 000 EURO-ROLLER ET-75 Turbo

Comprising :

- 6.70 metre extraction hose 75 mm dia.
- Exhaust nozzle, type PBK 90-75 with aperture for CO₂ measure.
- Total voltage 0.18 Kw, 240v, 1 phase.
- Steering voltage 24v.
- Pendant push-button switch with balancer.
- 3 metre rubber cable with joint plug with rim earthing.
- Standard colours yellow/black.

EURO-ROLLER EVT-75 Turbo is supplied completely for selfmounting. After mounting, the reel is operatable after plugging into a 240v - 16 amp. wall socket with rim earthing.

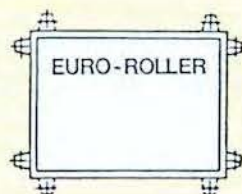


Type Turbo with extraction fan suitable for engine capacities up to 3 litres.

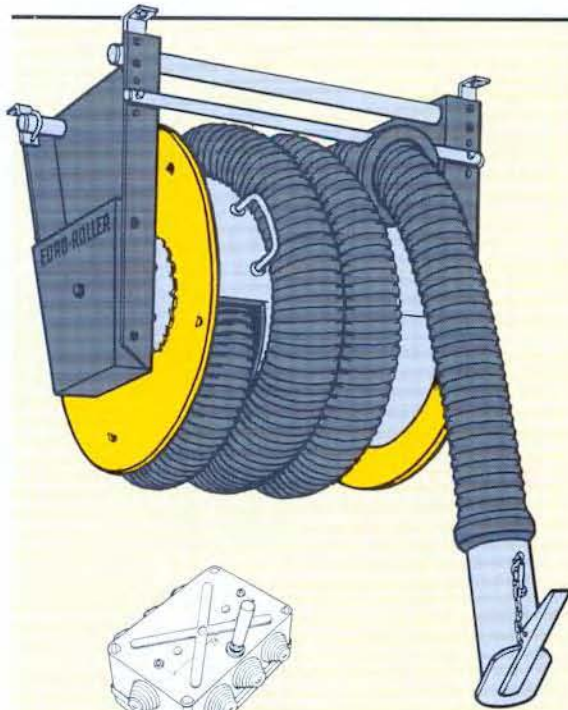
Part No. Type
9520 075 900 EURO-ROLLER EVT-75 Turbo Combi

Comprising :

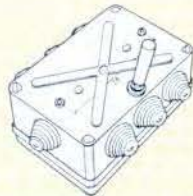
- 6.70 metre extraction hose 75 mm dia.
- Exhaust nozzle, type PB 90-75 with aperture for CO₂ measure.
- Extraction fan, type VRS 10, capacity 900 m³/hr free blowing.
- Total voltage 0.75 Kw, 240v, 1 phase.
- Steering voltage 24v.
- Pendant push-button switch with balancer.
- 3 metre rubber cable with joint plug with rim earthing.
- Standard colours yellow/black.



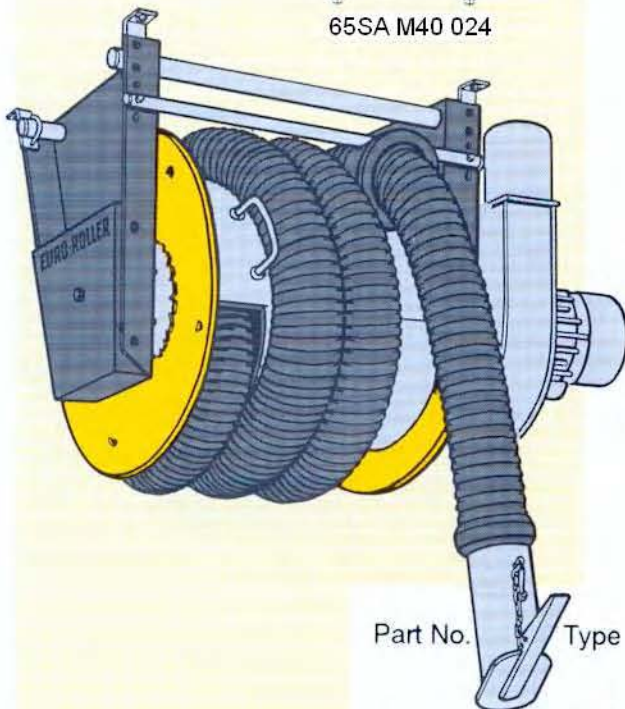
Part No. OPTIONS:
65BB 400 275 Electric prepared control for central fan and/or electric flap.
65SA M40 024 Euro-Roller switch control box for steering of fan of multiple reels.



65VH S20 125



65SA M40 024



Part No.	Type	Hose dia mm	Hose length M	Exhaust nozzle standard	Fan type	Fan cap.p/hr	Voltage 240v 1 phase
9530 075 510	ERMV	75	5	M - 75	VRS 10	900m ³	0.55 Kw
9530 100 510	ERMV	100	5	M - 100	VRS 10	900m ³	0.55 Kw
9530 125 512	ERMV	125	5	M - 125	VRS 12	1,200m ³	0.75 Kw
9530 075 710	ERMV	75	7	M - 75	VRS 10	900m ³	0.55 Kw
9530 075 110	ERMV	75	10	M - 75	VRS 10	900m ³	0.55 Kw
9530 100 112	ERMV	100	10	M - 100	VRS 12	1,200m ³	0.75 Kw
9530 125 112	ERMV	125	10	M - 125	VRS 12	1,200m ³	0.75 Kw

Type ERM without extraction fan suitable for engine capacities up to 6 litres.

Comprising :

- Flexible crushproof light weight heavy-duty smooth bore extraction hose with rubber protected polyamide spiral to ensure hose concentricity when on and off the reel.
Temperature resistant constant to 150°C.
- Metal exhaust nozzle with damper. (others on request)
- Standard colours yellow/black.

Part No.	Type	Hose dia mm	Hose length M	Exhaust nozzle standard
9531 007 505	ERM	75	5	M - 75
9531 010 005	ERM	100	5	M - 100
9531 012 505	ERM	125	5	M - 125
9531 007 507	ERM	75	7	M - 75
9531 007 510	ERM	75	10	M - 75
9531 010 010	ERM	100	10	M - 100
9531 012 510	ERM	125	10	M - 125

Part No. OPTIONS:

- 65VH S20 125 Reel switch for control by way of switch control box to fan and/or electric damper.
- 65SA M40 024 Euro-Roller switch control box for steering of fan and/or electric valve 230-24v.
- 65SA M40 024 Euro-Roller switch control box for steering of fan of multiple reels.

Type ERMV with extraction fan suitable for engine capacities up to 6 litres.

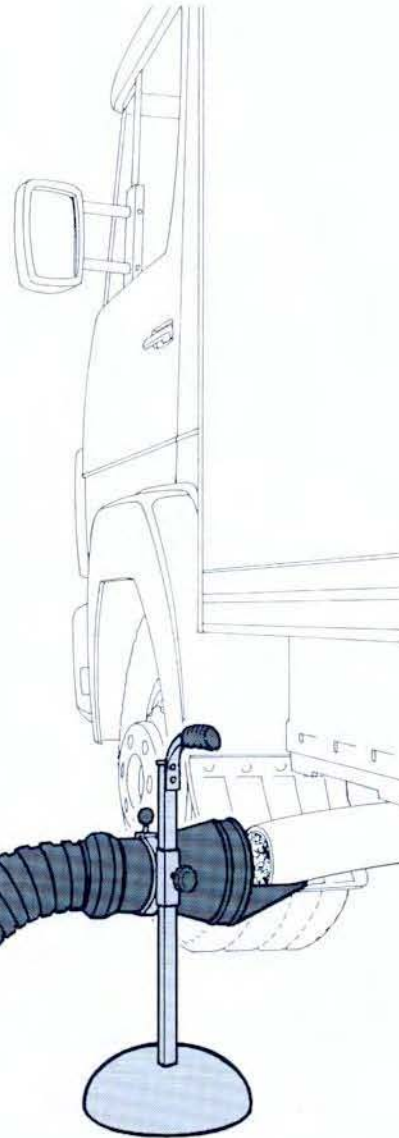
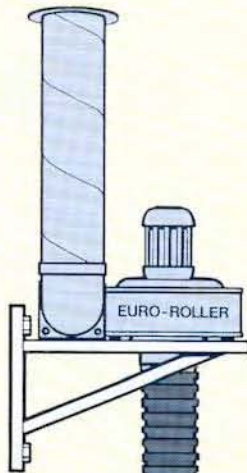
Comprising :

- Flexible crushproof light weight heavy-duty smooth bore extraction hose with rubber protected polyamide spiral to ensure hose concentricity when on and off the reel.
Temperature resistant constant to 150°C.
- Metal exhaust nozzle with damper. (others on request)
- Extraction fan.
- Push-button switch for fan.
- Standard colours yellow/black.

For longer hoses please see page 11.

Comprising:

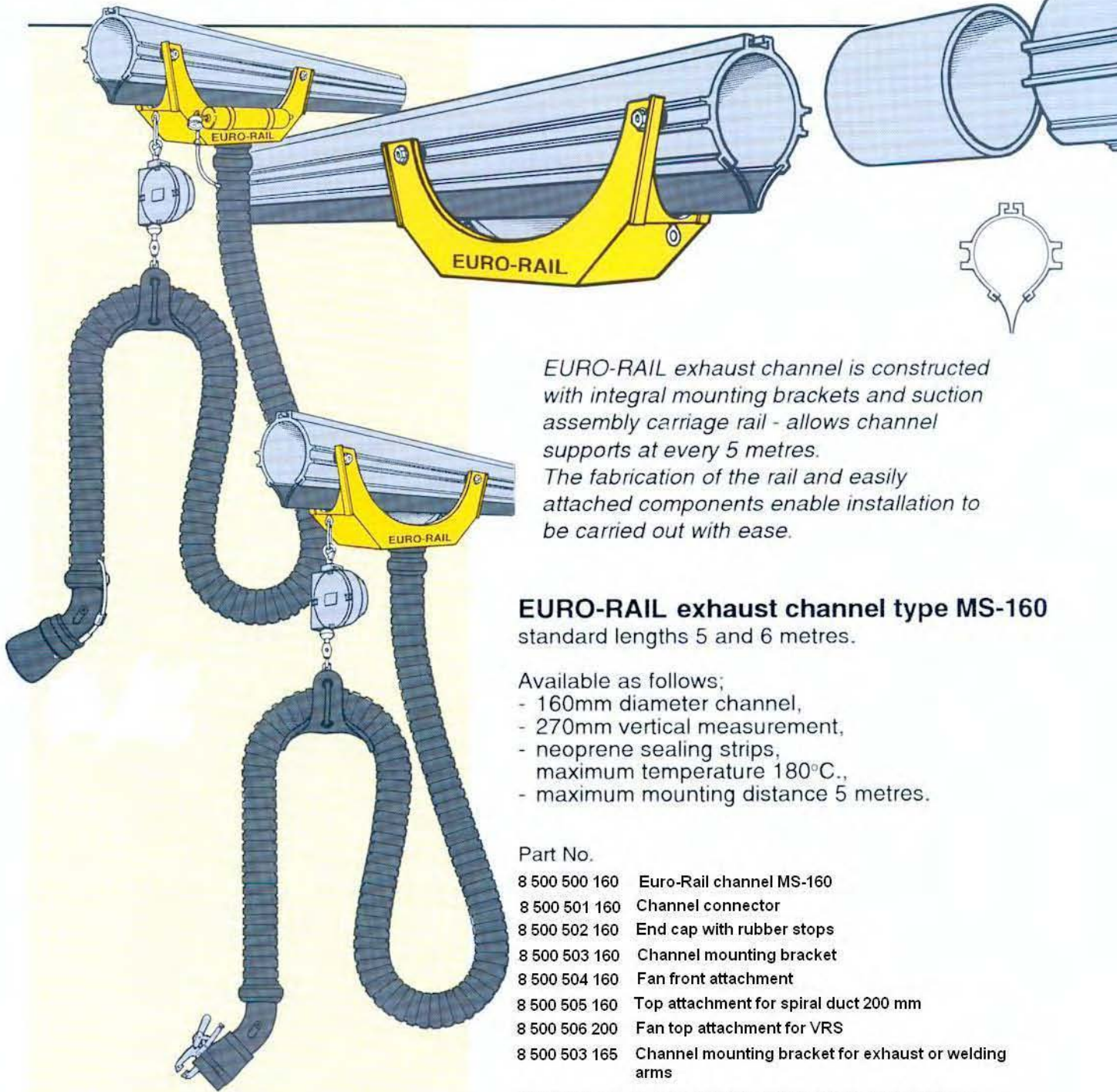
- adjustable free standing nozzle,
- 4 metre high temperature extraction hose,
- exhaust fan,
- fan mountingframe,
- motor overload protection switch.



Part No.	Type	Hose dia mm	Maximum temperature	Fan capacity
9540 150 150	VRTS	150 mm	200 gr.C	2000 m3
9540 180 180	VRTS	180 mm	200 gr.C	3000 m3
9540 200 200	VRTS	200 mm	200 gr.C	5000 m3

higher temperature on request

EURO-RAIL Aluminium exhaust channel system



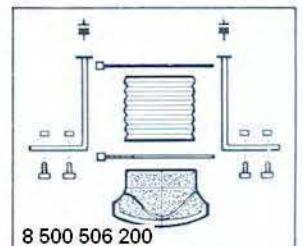
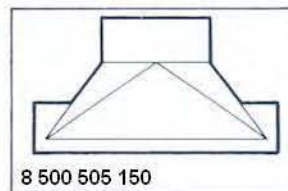
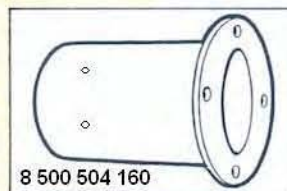
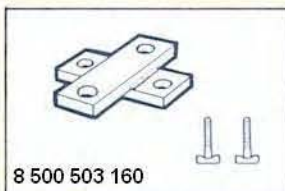
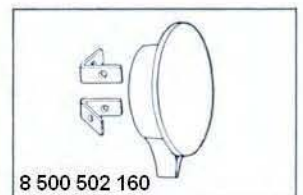
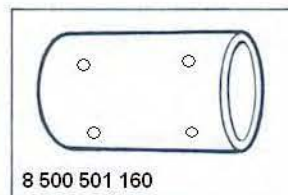
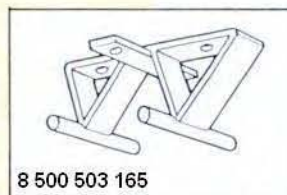
EURO-RAIL exhaust channel is constructed with integral mounting brackets and suction assembly carriage rail - allows channel supports at every 5 metres. The fabrication of the rail and easily attached components enable installation to be carried out with ease.

EURO-RAIL exhaust channel type MS-160 standard lengths 5 and 6 metres.

- Available as follows;
- 160mm diameter channel,
 - 270mm vertical measurement,
 - neoprene sealing strips, maximum temperature 180°C.,
 - maximum mounting distance 5 metres.

Part No.

- 8 500 500 160 Euro-Rail channel MS-160
- 8 500 501 160 Channel connector
- 8 500 502 160 End cap with rubber stops
- 8 500 503 160 Channel mounting bracket
- 8 500 504 160 Fan front attachment
- 8 500 505 160 Top attachment for spiral duct 200 mm
- 8 500 506 200 Fan top attachment for VRS
- 8 500 503 165 Channel mounting bracket for exhaust or welding arms
- 8 500 507 180 Hose carriage AZU 180 with four nylon wheels



EURO-RAIL exhaust extraction units are fitted with :

- hose carriage 180mm with 4 plastic wheels,
- extraction hose,
- hose support,
- balancer,
- exhaust nozzle with damper, clamp and grid, or, pneumatic nozzle with damper, clamp and grid.

Part No.	Type	Hose length M	Hose dia mm
----------	------	---------------	-------------

With damper

85516100-0	AZU-T - 6-100	6	100
85516125-0	AZU-T - 6-125	6	125
85516150-0	AZU-T - 6-150	6	150

With automatic disconnection

85526100-1	AZU-TA- 6-100	6	100
85526125-1	AZU-TA- 6-125	6	125
85526150-1	AZU-TA- 6-150	6	150

With automatic disconnection

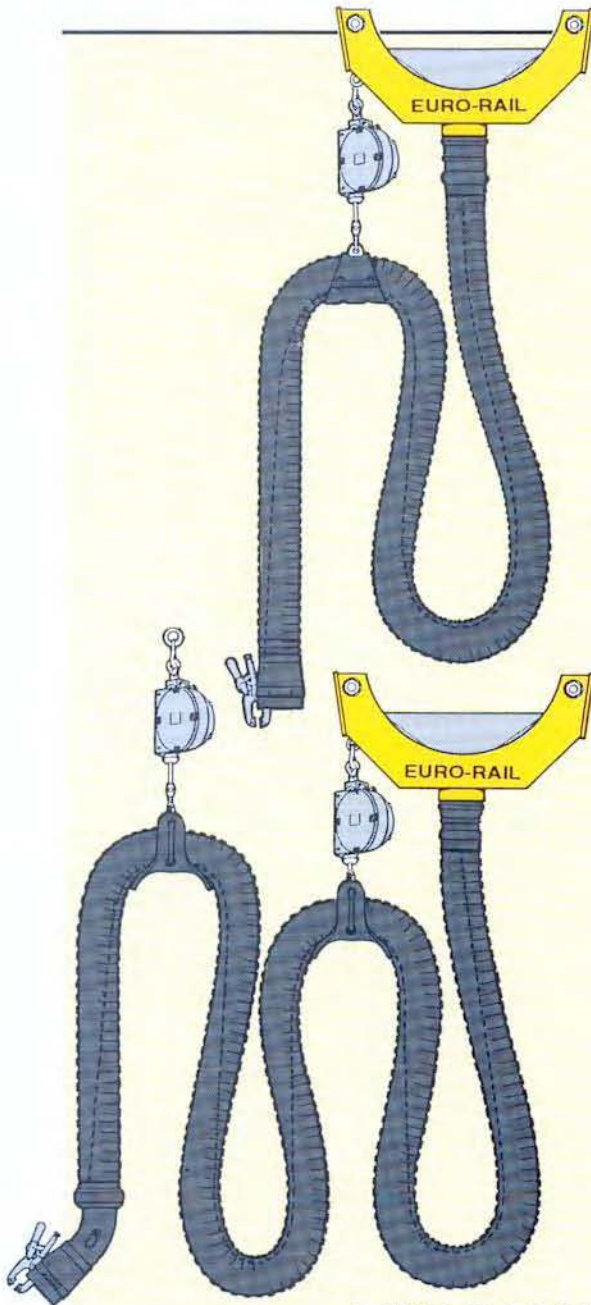
85536100-2	AZU-TA- 10-100	10	100
85536125-2	AZU-TA- 10-125	10	125
85536150-2	AZU-TA- 10-150	10	150

With automatic pneumatic disconnection

85546100-3	AZU-PNU- 6-100	6	100
85546125-3	AZU-PNU- 6-125	6	125
85546150-3	AZU-PNU- 6-150	6	150

With automatic pneumatic disconnection

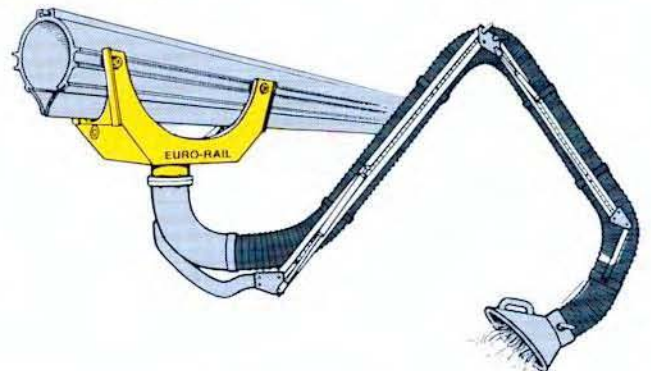
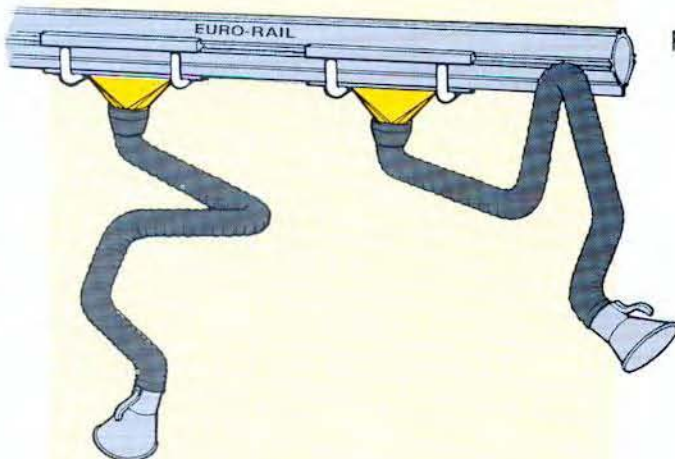
85556100-4	AZU-PNU-10-100	10	100
85556125-4	AZU-PNU-10-125	10	125
85556150-4	AZU-PNU-10-150	10	150



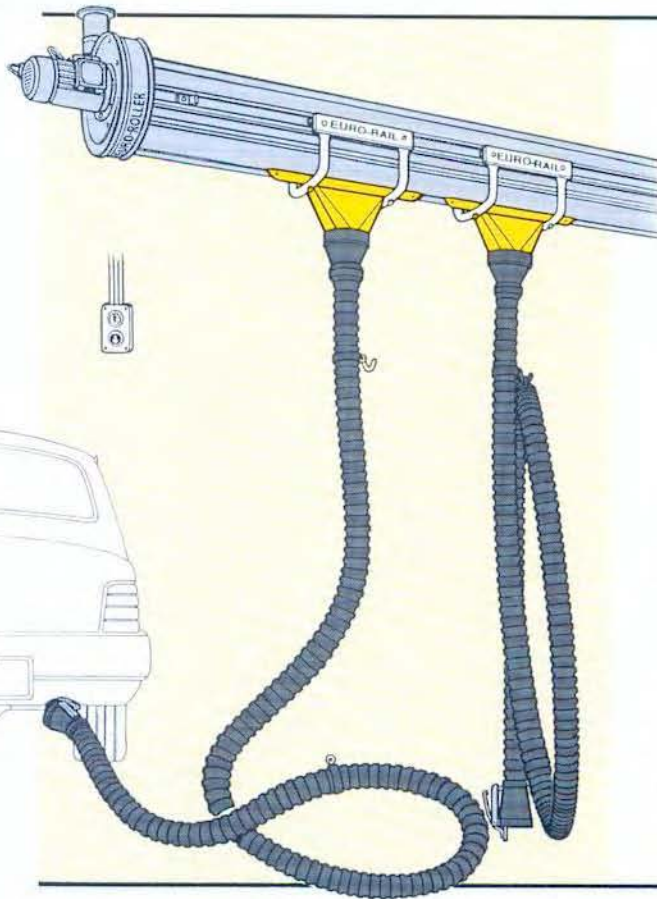
EURO-RAIL

Aluminium exhaust extraction channel with flexible exhaust extraction arms

Prices on request.



EURO-RAIL Aluminium exhaust extraction channel for cars



Part No. Type
8500500675 POP-S-6-75 (unit)

Comprising :

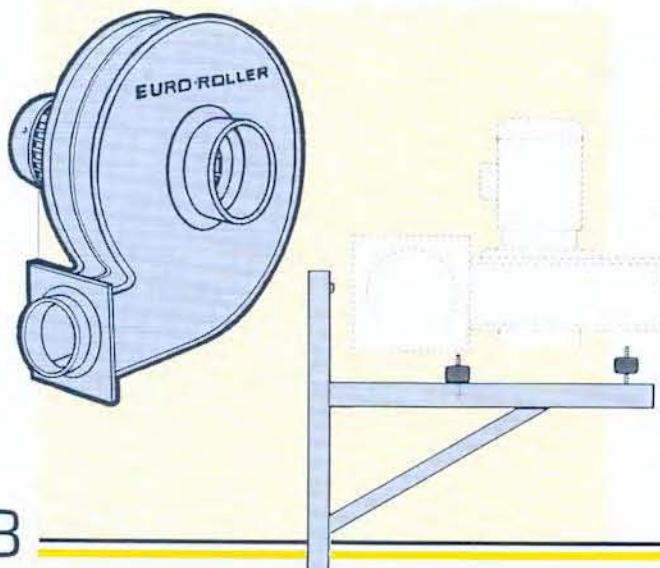
- 6 metres Euro-Rail exhaust extraction channel,
- 1 fan, 240v cap. 900m³/hr,
- 1 roof-outlet set,
- 1 push-button switch for wall or column mounting,
- 1 set of mounting fixings,
- 1 hose carriage with four plastic wheels,
- 6 metre 75mm dia hose,
- 1 exhaust nozzle with clamp,
- 1 hose bracket.

8500507675 POP-S-6 (separate hose carriage)
- 1 hose carriage with four plastic wheels,
- 6 metre 75 mm dia hose,
- 1 exhaust nozzle with clamp,
- 1 hose bracket.

8500507075 Hose carriage S-100 without hose,
or
8500507100 exhaust nozzle and bracket.

EURO-ROLLER Exhaust extraction fan

Part No.	Type middle pressure	Capacity p/hr	Motor capacity 2940 rpm	Max. pressure WK	Voltage	Sound level 5M
7000601055	VRS 10 M	900 m ³	0.55 Kw	160	2.3 - 1.32 240/415	70 dBA
7000601275	VRS 12 M	1.200 m ³	0.75 Kw	170	2.85 - 1.65 240/415	70 dBA
7000601411	VRS 14 M	2.000 m ³	1.1 Kw	320	4.2 - 2.4 240/415	76 dBA
7000601822	VRS 18 M	3.000 m ³	2.2 Kw	320	7.6 - 4.4 240/415	80 dBA
7000602140	VRS 21 M	4.200 m ³	4.0 Kw	400	7.6 - 4.4 400/690	86 dBA
7000605075	VRS 50 M	5.000 m ³	7.5 Kw	480	10 - 8.0 400/690	85 dBA



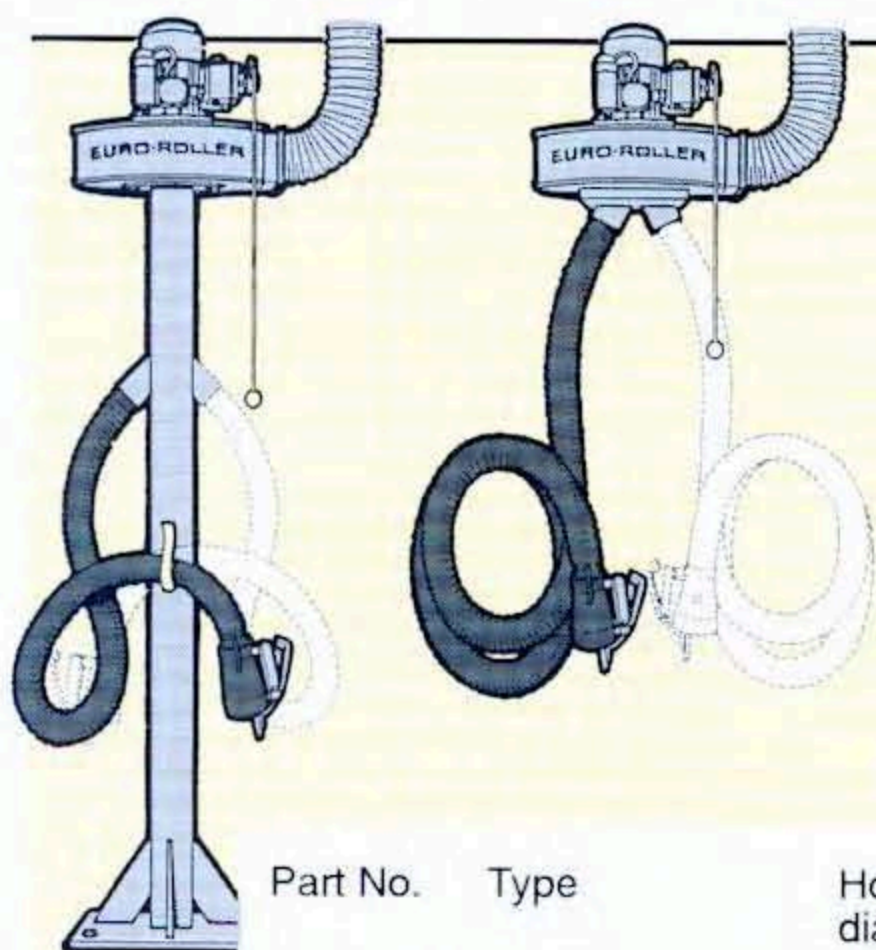
Part No.
65MSVRS101 Fan motorswitch with safeguard.
65MSVRS122 Fan motorswitch with safeguard.
65MSVRS143 Fan motorswitch with safeguard.
65MSVRS184 Fan motorswitch with safeguard.
65STVRS206 Triangle switch.

**Fan mountingframe with
vibrationdimmer for;**

70VMF10101 Fan VRS 10
70VMF12122 Fan VRS 12
70VMF14143 Fan VRS 14
70VMF18184 Fan VRS 18
70VMF21215 Fan VRS 21

EURO-ROLLER

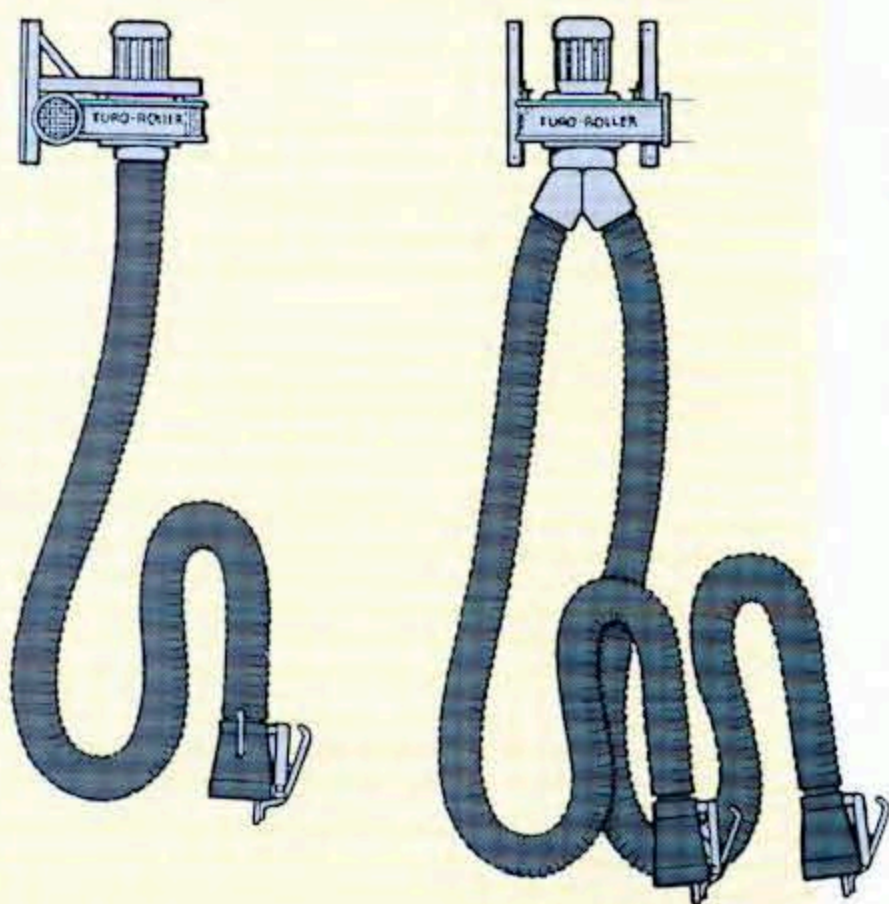
Mono exhaust extraction system



Comprising :

- Floor mounting column height 2.5 metres, or
- Wall mounting frame (if required).
- Extraction fan.
- One flexible crushproof light weight heavy-duty smooth bore extraction hose with rubber protected polyamide spiral to ensure hose concentricity when on and off the reel.
Temperature resistant constant to 150°C.
- Exhaust nozzle
- Push-button switch for wall or column mounting.
- 3 metre rubber cable with joint plug with rim earthing.
- Standard colours yellow/black.

Part No.	Type	Hose dia mm	Hose length M	Nozzle with aperture for CO ₂ measure	Fan type	Fan cap p/hr	Voltage	
9570 075 315	Mono 703110Z floor mounted	75	3	PBK- 90- 75	VRS 10	900m ³	240v	0.55 Kw 1 phase
9570 075 310	Mono 703110 wall mounted	75	3	PBK- 90- 75	VRS 10	900m ³	240v	0.55 Kw 1 phase
9570 100 512	Mono 1005112 wall mounted	100	5	VBK-150-100	VRS 12	1.200m ³	240/415v	0.75 Kw 3 phase
9570 125 514	Mono 1255114 wall mounted	125	5	VBK-150-125	VRS 14	2.000m ³	240/415v	1.1 Kw 3 phase

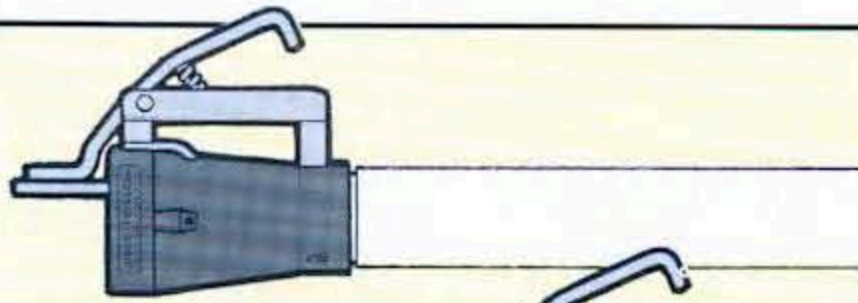


Duo exhaust extraction unit system.

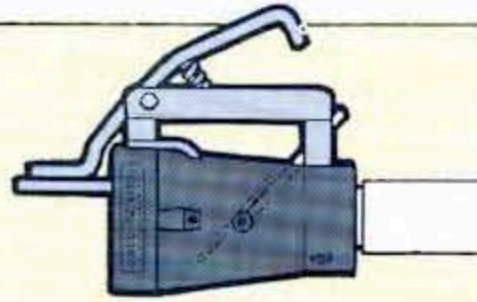
Comprising :

- Floor mounting column height 2.5 metres, or
- Wall mounting frame (if required).
- Extraction fan.
- Two flexible crushproof light weight heavy-duty smooth bore extraction hose with rubber protected polyamide spiral to ensure hose concentricity when on and off the reel.
Temperature resistant constant to 150°C.
- Exhaust nozzle
- Push-button switch for wall or column mounting.
- 3 metre rubber cable with joint plug with rim earthing.
- Standard colours yellow/black.

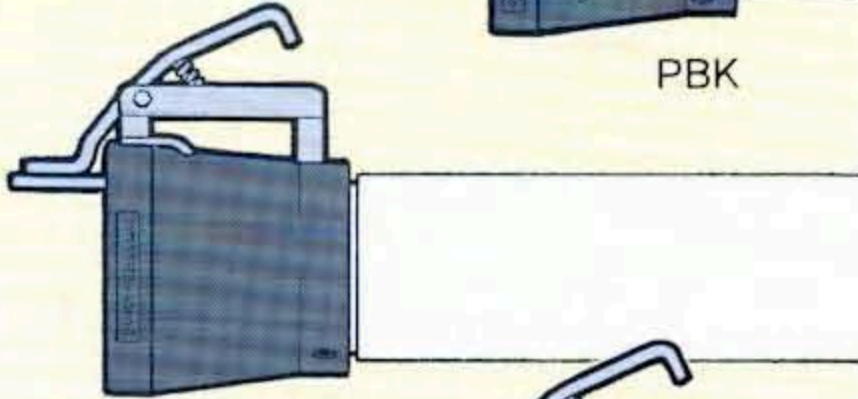
Part No.	Type	Hose dia mm	Hose length M	Nozzle with aperture for CO ₂ measure	Fan type	Fan cap p/hr	Voltage	
9571 753 215	Duo 703210Z floor mounted	75	2 x 3	PBK- 90- 75	VRS 10	900m ³	240v	0.55 Kw 1 phase
9571 753 210	Duo 703210 wall mounted	75	2 x 3	PBK- 90- 75	VRS 10	900m ³	240v	0.55 Kw 1 phase
9571 005 212	Duo 1005212 wall mounted	100	2 x 5	VBK-150-100	VRS 12	1.200m ³	240/415v	0.75 Kw 3 phase
9571 255 214	Duo 1255214 wall mounted	125	2 x 5	VBK-150-125	VRS 14	2.000m ³	240/415v	1.1 Kw 3 phase



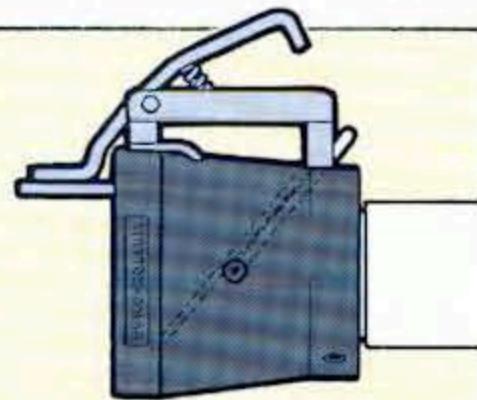
PB



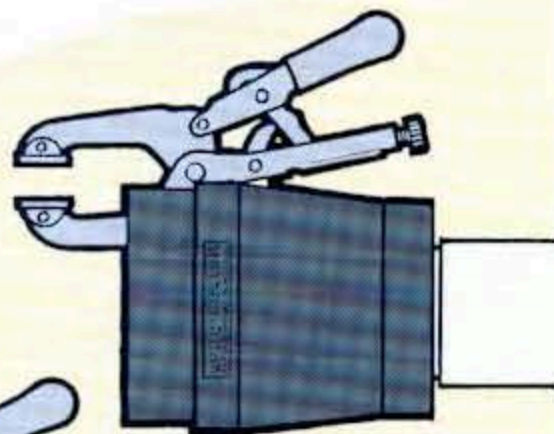
PBK



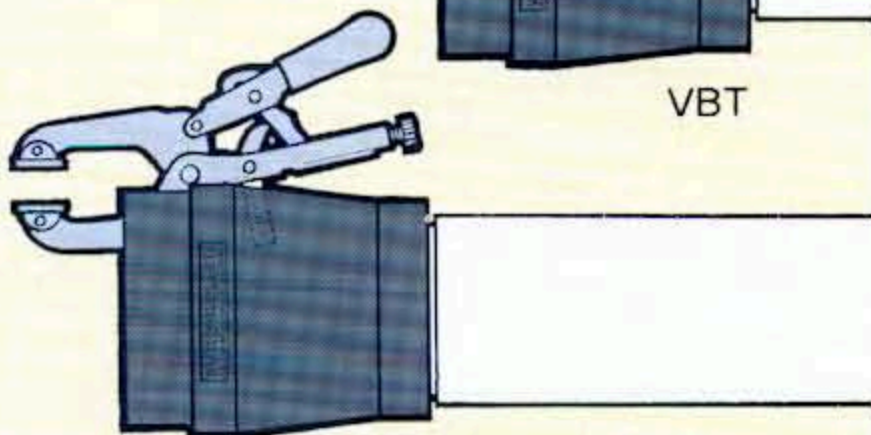
VB



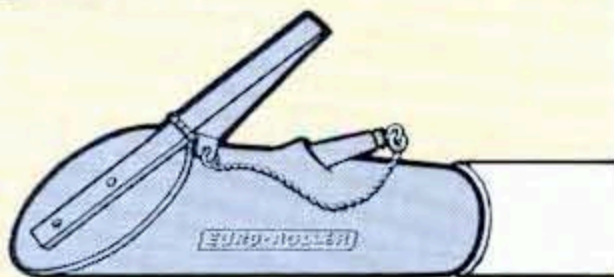
VBK



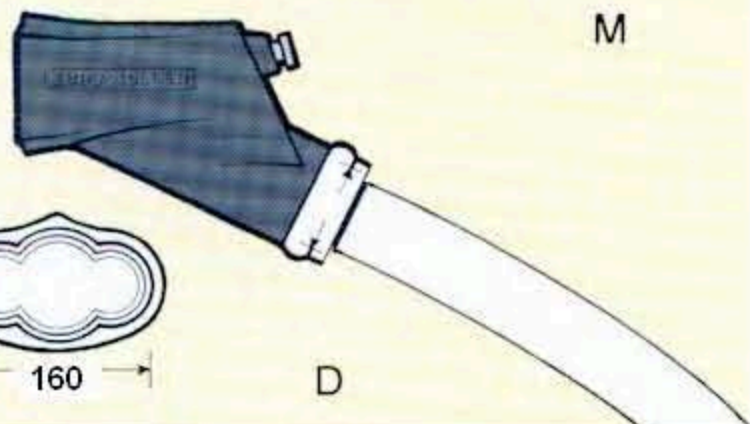
VBT



VBTA



M



D

Part No.	Type
5110 090 075	PB -090-075
5110 090 100	PB -090-100
5111 090 075	PBK-090-075
5111 090 100	PBK-090-075
5120 090 075	PT -090-075
5120 090 100	PT -090-100
5121 090 075	PTK-090-075
5121 090 100	PTK-090-075
5210 150 100	VB -150-100
5210 150 125	VB -150-125
5210 150 150	VB -150-150
5211 150 100	VBK-150-100
5211 150 125	VBK-150-125
5211 150 150	VBK-150-150
5220 150 100	VT -150-100
5220 150 125	VT -150-125
5220 150 150	VT -150-150
5221 150 100	VTK-150-100
5221 150 125	VTK-150-125
5221 150 150	VTK-150-150
5210 200 125	VB -200-125
5210 200 150	VB -200-150
5210 200 180	VB -200-180
5220 200 125	VT -200-125
5220 200 150	VT -200-150
5310 160 075	DB -160-075
5310 160 100	DB -160-100

Explanation of letters:

- P = cars
- B = with clamp
- T = with grip
- K = with closing flap
- D = duo

Part No. Pneumatische nozzle, max. temperature 400°C.

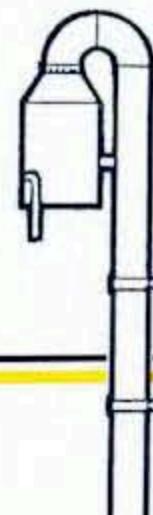
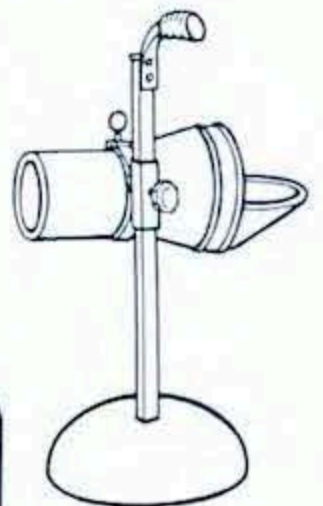
5150 100 075	PL -100-075
5150 100 100	PL -100-100
5250 150 100	VL -150-100
5250 150 125	VL -150-125
5350 125 100	DL -125-075
5350 125 100	DL -125-100

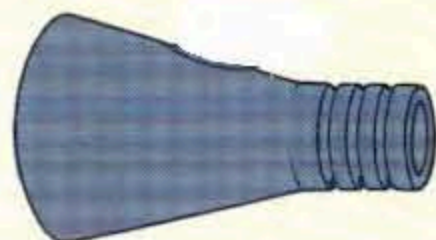
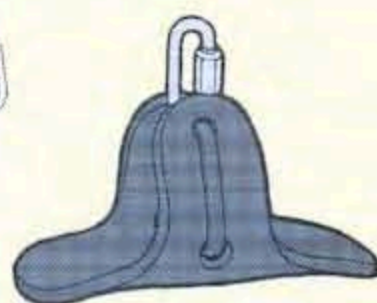
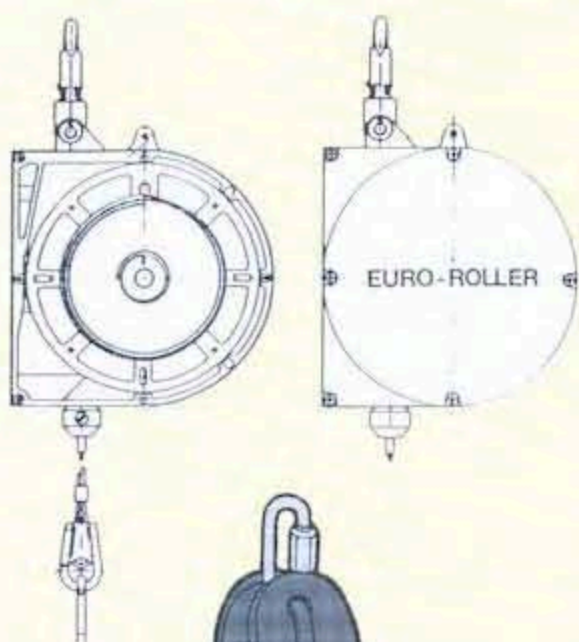
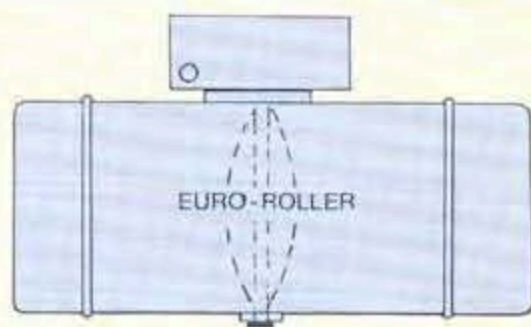
Free standing nozzle, adjustable to required height.

5653 300 125	ST -300-125
5653 300 150	ST -300-150
5653 300 180	ST -300-180
5653 300 200	ST -300-200

Exhaust nozzle for verticle exhaust pipe.

5706 250 100	KS-100
5706 250 125	KS-125
5706 250 150	KS-150





EURO-ROLLER electric closing flap 240v/24v with bent.

Part No.	Type	Diameter mm	Voltage
3324 230 100	EKB 100	100	240/24
3324 230 125	EKB 125	125	240/24
3324 230 150	EKB 150	150	240/24

EURO-ROLLER hose balancer.

Part No.	Type	Spring retension traction pull	Cable- length M
2000 GB1 341	GB/sper	2 - 4 KG	4
2000 GB2 342	GB/sper	4 - 6 KG	4
2000 GB3 343	GB/sper	6 - 8 KG	4
2000 GB4 344	GB/sper	8 - 10 KG	4
2000 GB5 345	GB/sper	10 - 14 KG	4

EURO-ROLLER bracket with spigot.

Part No.	Type	Hose dia
2000 SOB 075	SOB - 75	75 mm
2000 SOB 100	SOB - 100	100 mm
2000 SOB 125	SOB - 125	125 mm
2000 SOB 150	SOB - 150	150 mm

Exhaust extraction hose

Flexible crushproof light weight heavy-duty smooth bore extraction hose with rubber protected polyamide spiral to ensure hose concentricity when on and off the reel.

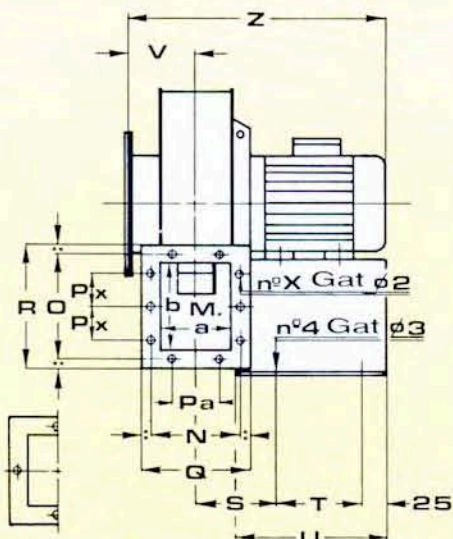
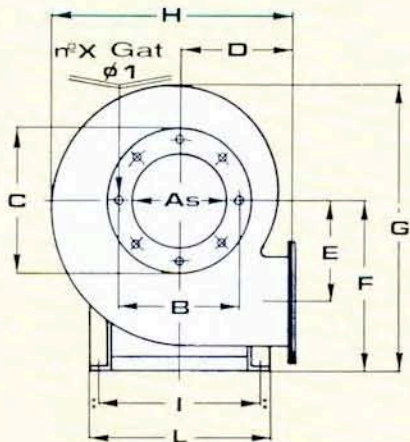
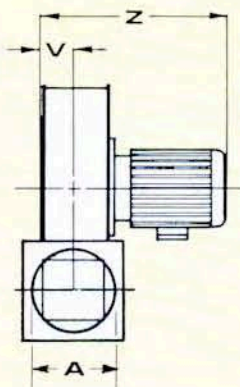
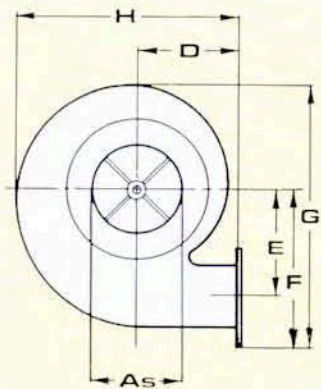
Temperature resistant to 150°C.

Part No.	Maximum hose length M	Hose diameter mm
8000 080 075	40 mtr.	75 mm
8000 080 100	40 mtr.	100 mm
8000 080 125	40 mtr.	125 mm
8000 080 150	20 mtr.	150 mm
8000 080 180	20 mtr.	180 mm
8000 080 200	20 mtr.	200 mm

Oil and chemical resistant flexible crushproof hose for use on floors and fixed mounting,

Part No.	Nozzle dia. mm	Hose coupler mm
5100 090 075	90	50
5200 150 100	150	100

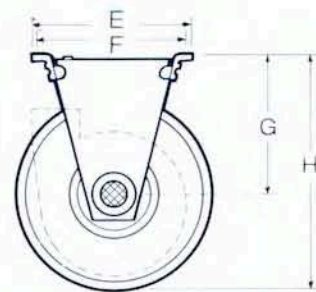
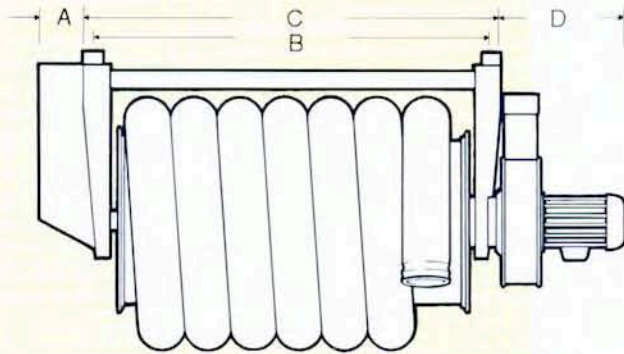
Subject to change.



Part	VRS 10	VRS 12	VRS 14	VRS 18
A	100	125	150	180
As	125	150	180	200
D	185	205	240	272
E	155	192	226	260
F		290	335	380
G	402	505	580	660
H	375	440	515	585
Z		393	465	554

Part	VRS 20	VRS 19
A	225	350
As	250	350
B	290	382
XO 1	8 / 9	M 8
C	316	412
D	340	235
E	329	260
F	470	445
G	820	735
H	730	580
I	400	290
L	440	320
M.a.	156	280
M.b.	190	280
M	192	318
O	226	318
Pa	90	90
Px	2 x 90	2 x 90
X/O 2	10 / 9	12 / 9
Q	222	345
R	256	345
S	139	201
T	300	225
Ø 3	9	9
U	380	305
V	120	146
Z	644	597
Weight	110	60

Subject to change



Part No.	Type	Kg.	A	B	C	D	E	F	G	H
21075000	ET - 75	45	150	530	560		515	485	350	660
20075000	EVT - 75	55	150	530	560	400	515	485	350	660
110075125	E - 75 - 12,5	50	150	800	830		535	505	420	720
1007512412	EV - 75 - 12,5	65	150	800	830	425	535	505	420	720
110100010	E - 100 - 10	52	150	800	830		535	505	420	750
110100012	EV - 100 - 10	67	150	800	830	425	535	505	420	750
110125015	EG - 125 - 10	60	150	970	1000		535	505	420	780
1012501014	EVG - 125 - 10	80	150	970	1000	440	535	505	420	780
110150010	EG - 150 - 10	63	150	970	1000		535	505	420	805
1015001014	EVG - 150 - 10	83	150	970	1000	440	535	505	420	805
110125015	EGE - 125 - 15	70	150	1320	1350		535	505	420	780
1012501514	EVGE - 125 - 15	94	150	1320	1350	440	535	505	420	780
110150015	EGE - 150 - 15	73	150	1320	1350		535	505	420	805
1015001518	EVGE - 150 - 15	97	150	1320	1350	440	535	505	420	805
31007505	ERM - 75 - 5	40		640	670		530	500	414	714
300750510	ERMV - 75 - 5	50		640	670	400	530	500	414	714
31010005	ERM - 100 - 5	42		640	670		530	500	414	734
301000510	ERMV - 100 - 5	57		640	670	425	530	500	414	734
31012505	ERM - 125 - 5	44		640	670		530	500	414	759
301250512	ERMV - 125 - 5	59		640	670	425	530	500	414	759
31007507	ERM - 75 - 7	42		640	670		530	500	414	714
300750710	ERMV - 75 - 7	52		640	670	425	530	500	414	714
31007510	ERM - 75 - 10	44		640	670		530	500	414	714
301001010	ERMV - 75 - 10	54		640	670	425	530	500	414	714
31010010	ERM - 100 - 10	47		640	670		530	500	414	714
301001012	ERMV - 100 - 10	57		640	670	425	530	500	414	714
31012510	ERM - 125 - 10	50		640	670		530	500	414	714
301251012	ERMV - 125 - 10	65		640	670	425	530	500	414	714

EURO-ROLLER®
EURO-ROLLER
EURO-ROLLER
EURO-ROLLER
EURO-ROLLER
EURO-ROLLER
EURO-ROLLER
EURO-ROLLER
EURO-ROLLER
EURO-ROLLER
EURO-ROLLER
EURO-ROLLER
EURO-ROLLER



UITLAATGAS - EN LASDAMPAFZUIGING
HOLLANDSE KADE 26 - 1391 JD ABCOUDE
TEL: +31(0)294 - 291 111 - FAX +31(0)294 - 291 112
www.euroroller.nl NEDERLAND